



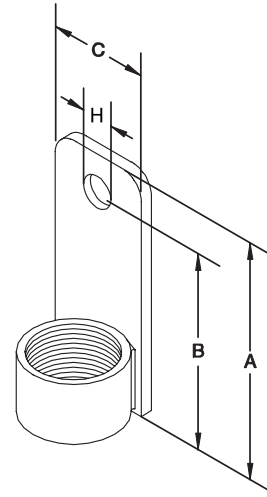
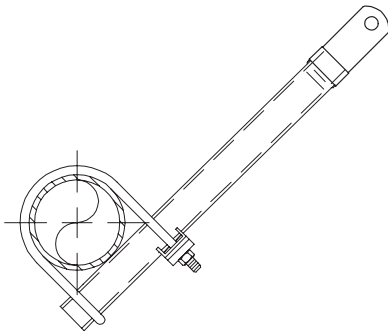
## Thread Straight Sway Brace Attachment

975

Pipe Support

### Technical Features

- Sizes available for bracing pipe (Nominal) : DN25 / 1".
- Features : For use with NPT threaded bracing pipe. All steel construction. Open design allows for inspection of thread engagement.
- Material : Carbon steel.
- Finish : Electrogalvanized.



1 - When used with other Tolco® bracing products.

### Thread Straight Sway Brace Attachment - 975

Physical Data

Nom. Bracing (metric)	Pipe Size (inch)	Dimensions (mm / inch)				Finish	Box Quantity	Box Weight (kg / lbs)	Reference
		A	B	C	H				
DN25	1"	101.6 / 4.00	88.9 / 3.50	38.1 / 1.50	14.3 / 0.56	Plain	100	24 / 52	975-0100
DN25	1"	101.6 / 4.00	88.9 / 3.50	38.1 / 1.50	14.3 / 0.56	Electrogalvanized	100	24 / 52	975G-0100

### Installation Instructions

Designed, tested, and approved to be used only with other Tolco® bracing products available from Viking SupplyNet®.

The Threaded Swivel Sway Brace Attachment is designed to be used in conjunction with Figure 1000 Fast Clamp®, or Figure 4A pipe clamp, all joined together with bracing pipe and installed according to National Fire Protection (NFPA) 13 in order to brace pipe against sway and seismic disturbances.

The length of bracing is defined in National Fire Protection Association (NFPA) 13, Table 4-5.4.3.5.1(B): According to NFPA 13, 1999 Edition, DN 25/1" Schedule 40 bracing pipe is limited to a maximum length of 7'-0".

Bracing pipe should be machined with NPT threads. Thread the bracing pipe fully into the Swivel Sway Brace Attachment. The Swivel Sway Brace Attachment must be mounted in the straight position only. Do not bend.

A maximum 19.1 mm (<sup>3</sup>/<sub>4</sub>" ) diameter fastener is designed to be inserted through hole "H" and attached to the supporting structure

The maximum horizontal design load shall not exceed 914 kg (2015 lbs).